

# Kaymar

## Fitting Instructions



Vehicle **Nissan Y62**  
Year **SERIES 5 Ti-L, Ti**  
Type **Wagon**  
Part **Rear Bar**

**Applicable to Part Numbers**  
K3580, KIT62-5, KIT62-5-R-JCD

See also related fitting instructions for reversing sensors, carriers and jerry can holders

Date published October 8, 2020

### IMPORTANT - BEFORE COMMENCING INSTALLATION

Please verify the part number corresponds with the list above.

**Read through these instructions and check items in the supplied fitting kit matches the attached list.**

Every effort is made to ensure instructions are as accurate as possible at the time of publishing however work should not be commenced until the document has been thoroughly read, measurements checked and all components in the package verified as complete.

Kaymar has used reasonable care in preparing the information included in these documents, but makes no representations or warranties as to the completeness or accuracy of the information. Information is supplied upon the condition that the persons receiving the information will make their own determination as to its suitability for their purposes prior to use. Kaymar assumes no liability whatsoever for any damages incurred by you resulting from errors in or omissions from the information included herein. Kaymar reserves the right to make changes without further notice to any products to improve reliability, function or design.

## Nissan Y62 Series 5

# Kaymar

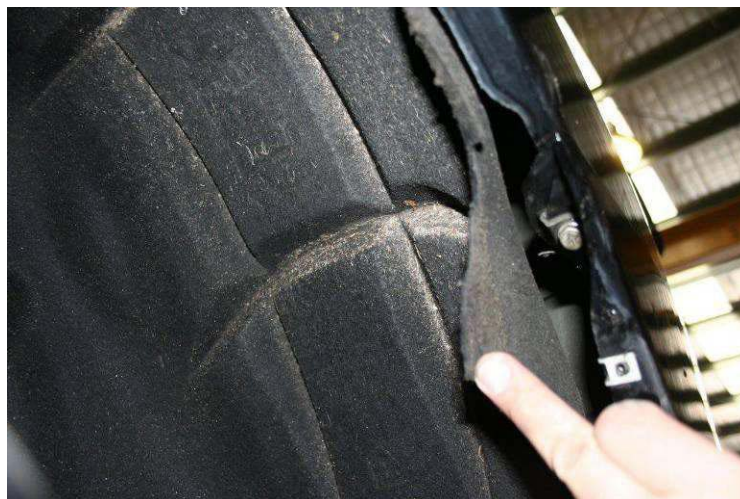
## Fitting Instructions



1. Remove original rear bumper and towbar (If fitted)
2. Remove both tail light assemblies by prising open plastic cover using a flat head screwdriver. Remove two bolts in tail light and one in the top of bumper.



3. Gently pull tail light assembly towards outside of vehicle to release plugs. Un-plug wiring harness from behind light and put light aside.
4. Remove plastic rivot, one either side from top of bumper. Remove mud flaps and screw that is hidden behind mud flap that holds bumper wing in position.



5. Remove all bolts from under bumper and all other mounting brackets.

# Kaymar

## Fitting Instructions



6. Disconnect sensor harness and remove bumper. Starting at mud the flap end of the bumper, gently pull away from body to unclip. Remove bumper and set aside on a non abrasive surface. Unclip the sensor harness from the body to gain more length for reinstallation of the sensor harness.



7. Remove sensors/sensor harness from bumper. Discard polyurethane bumper supports and the two metal mounting brackets on rear face of the chassis. These will not be re-used. Using a flat blade screw driver remove the sensor housings from the bumper. These will not be reused.



# Kaymar

## Fitting Instructions



### Fitting Blind Spot Sensors

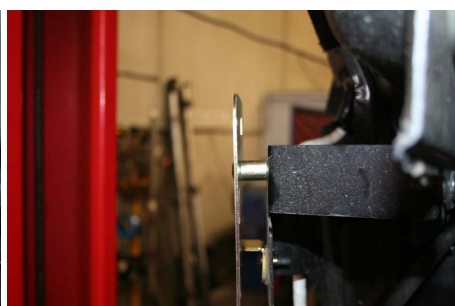
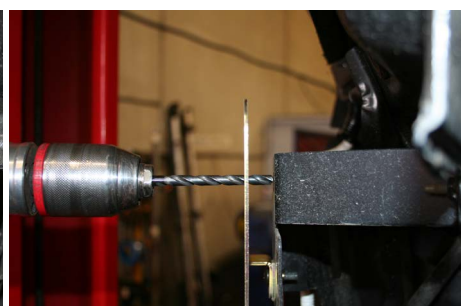
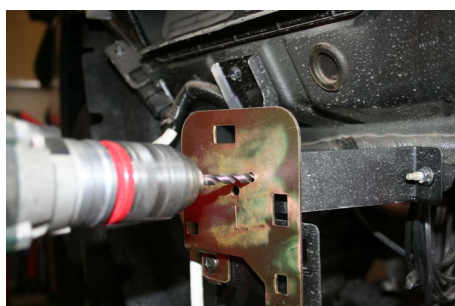
1. Undo the two screws holding the sensor, then by depressing the tabs on the back of the sensor unclip the sensor and leave hanging while the new bracket is fitted.



2. Using M6 panel trim fasteners clip to OE bracket. Then fit the relocating bracket supplied using M6 x 20 pan head screws. NOTE: These brackets are side specific. L/H shown.



3. Using the hole in the bracket as a guide drill out the OE bracket to 7mm then fit M6 x 40 x 17mm spacer between the new bracket and OE bracket. Secure using M6 wizz nuts. Repeat on R/H side.



# Kaymar

## Fitting Instructions



4. Leave or cable tie sonar out of the way until the bar is fitted.



Continued from 7.

8. Clip the bumper back onto the vehicle, making sure it sits back in its original position.
9. Across the rear of the bumper is a styling line in the centre of the bar. Make a mark 30mm down from the line then approximately 500mm to either side, mark down 30mm.



10. Position the cardboard template following the styling lines on the corner of the bumper (LHS shown). Using masking tape to hold in place mark the entire length of the bottom of the template.



# Kaymar

## Fitting Instructions



11. At the wheel arc end of the bumper make a mark 110mm down from the body.



12. Using a ruler join all marks around the bumper.



# Kaymar

## Fitting Instructions



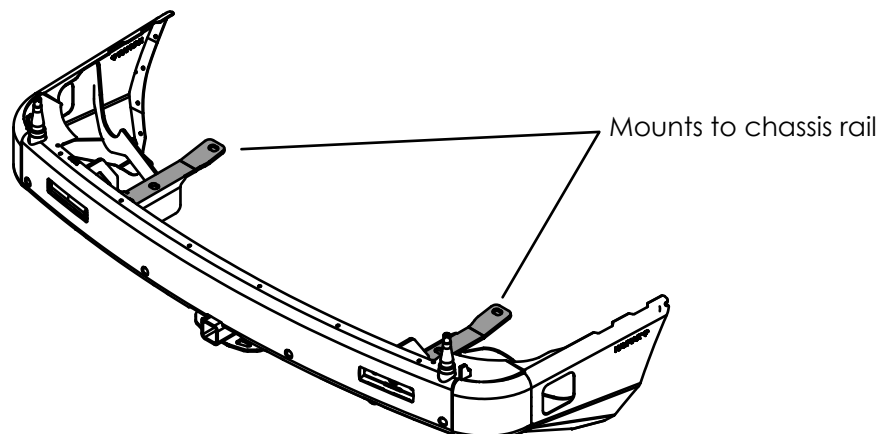
13. Check all measurements are correct. Then using a grinder with cutting disc. Cut on the line. If cutting bumper while it is on the vehicle, be careful not to cut through any vehicle wiring eg:- Blind spot sonar harness.



14. Once bumper is cut, clean cut edge with a stanley knife blade. Fit pinch weld supplied to cut edge of bumper, the pinch weld should just cover the two outer sensor holes. Remove the bumper for refitment once the bar is on.



14. With another person, carefully lift the Kaymar Bar into position on the vehicle so that the 6 slotted holes on the Kaymar Bar sub-frame line up with the M12 mounting points on the underside of the chassis rail.



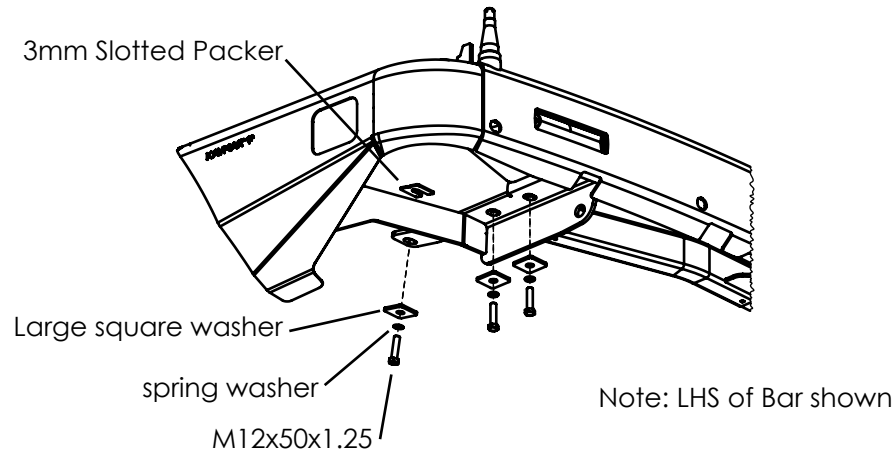
# Kaymar

## Fitting Instructions



16. Fit the 6 x M12 x 50 x 1.25 bolts, spring washers and large square washers. If required you may need to use the 3mm slotted packers provided to adjust the the position of the Bar for a uniform fit.

**DO NOT TIGHTEN.**



17. Fit 4 x M12 x 25 x 1.25 bolt, spring and flat washers to the 4 captive nuts in centre of chassis.





# Kaymar

## Fitting Instructions



18. Tighten 6 x bolts in the bottom of chassis first.
19. Using a ruler from the end of the bar wing, measure from the top of the wing to the body on either side. Make sure they are the same height (120mm). Then measure from the top of the bar to the bottom of the tail light (270mm). Use packers provided when necessary.



20. Run a thin bead of silicon along underside of chequer plate curved edge. Place rubber strip along curved edge, run another bead of silicon along rubber strip. Fit to bar using stainless steel hex head screws and M6 flange nuts.
21. Re-fit mud flaps using original screws in top of mud flap and , M6 x 60 pan head screw in bottom four holes. Secure using M6 nyloc nut. Tighten until mud flap sits just off end of wing.



22. Mark position of where mud flap bolt to original brackets. Drill out to 8mm and attach using original hardware.

# Kaymar

## Fitting Instructions



23. Refit the bumper making sure it sits back in the original position.

### \* To refit sensor

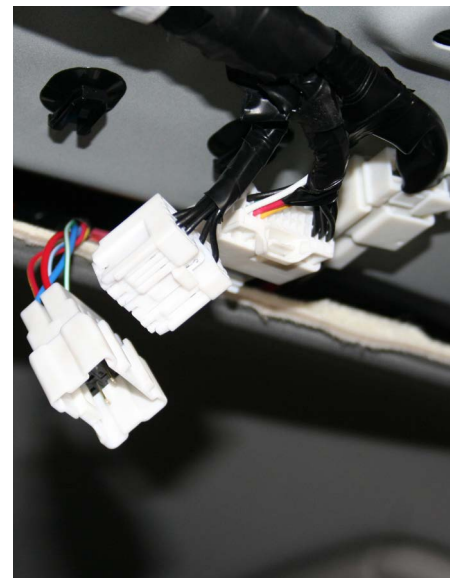


### LED LIGHTS

Splice wiring supplied into Nissan trailer harness for LED lights following table below

Green	Right Hand Indicator
Yellow	Left hand Indicator
Brown	Tail Light
Red	Stop
White	Earth
Black	Reverse

**NOTE:** For Reverse - unclip rear L/H trim to access the roof lining. In the centre of the roof there are three plugs. Unplug L/H plug and splice a wire to the RED/YELLOW wire. Feed the wire back through inside of the body down to the wiring harness.



# Kaymar

## *Fitting Instructions*



24. Fit the four sensor housings supplied to the cut outs in the bar. Refit the sensor harness and plug in. Check all sensors are working correctly, then stickiflex in place.
25. If carriers or jerry can holder is to be fitted. See separate carrier/jerry can instructions.

# Kaymar

## Fitting Instructions

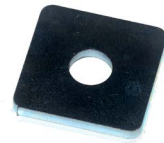


### BK3580 Y62 SERIES 5 PATROL REAR BAR

QUANTITY	DESCRIPTION
6	BOLT M12 X 50 X 1.25 FINE THREAD
4	BOLT M12 X 35 X 1.25 FINE THREAD
10	WASHER FLAT M12 X 30 HD
10	WASHER SPRING M12
4	NUT M12 X 1.75
8	SCREW PAN HEAD M6 X 50 (BLACK)
8	NUT NYLOC M6
1	PINCH WELD 14MM STRIP LENGTH 3100MM
12	5mm LARGE SQUARE WASHER
6	3mm SINGLE SLOT PACKER
1	1500mm 7-CORE TRAILER CABLE
10	MALE TERMINALS
10	FEMALE TERMINALS
1	TEMPLATE FOR STEP 10



*Template for Step 10*



*5mm Square Spacer*



*3mm Spacer*